

- NOTES: L: LESS OTHERWISE SPECIFIED
1. RESISTANCE IS IN OHMS, 1/4W, 5%.
 2. CAPACITANCE IS IN MICROFARADS.
 3. FETS ARE 5F0-3C4
 4. DIODES ARE 013-599
 5. J1 AND J4, J2 AND J3 ARE CONNECTED THRU FLAT RIBBON CABLE.
 6. SCHEMATIC REFLECTS PWA 4050901

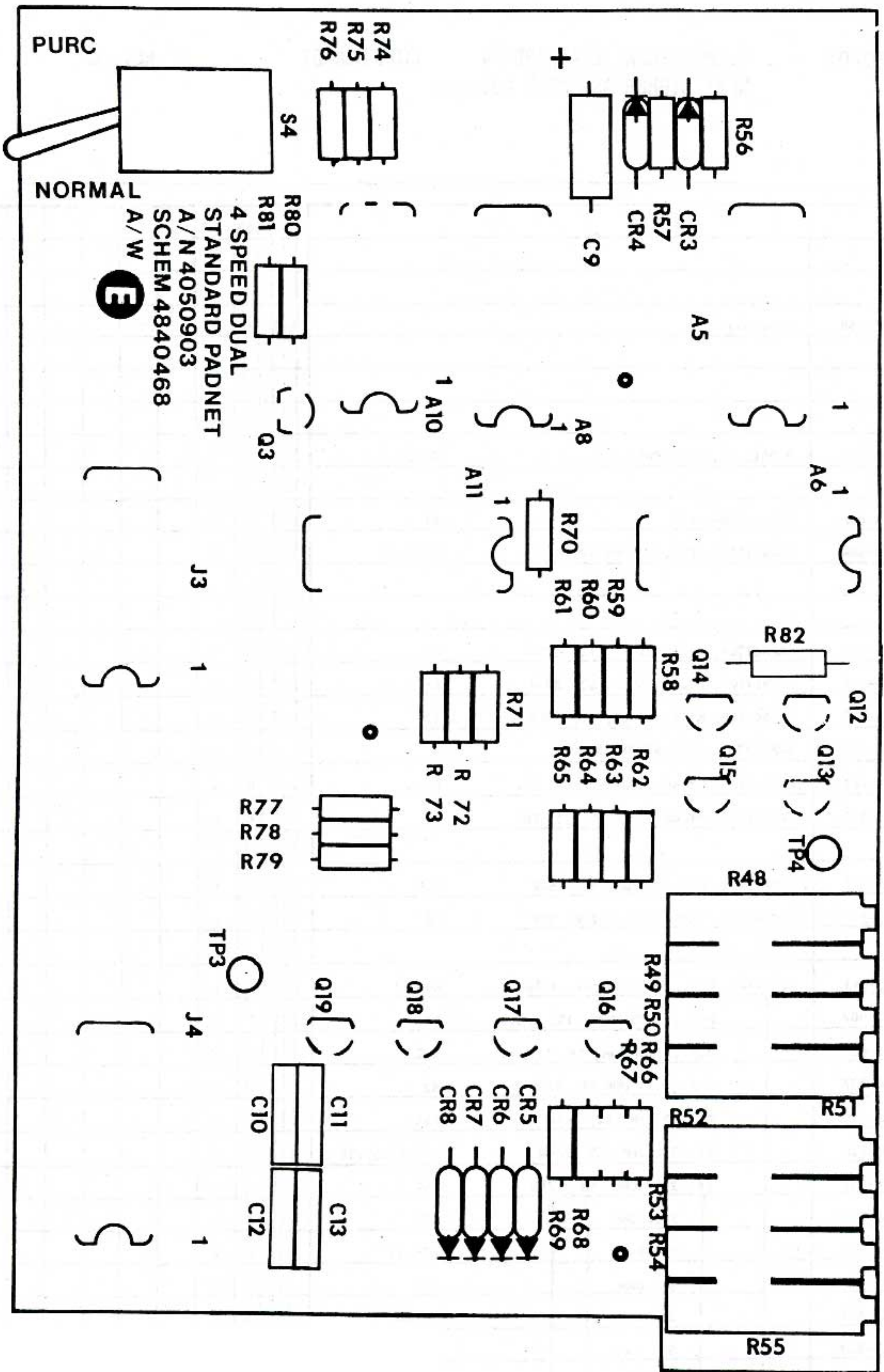
REFERENCE DESIGNATIONS	
LAST USED	NOT USED
A11	A5,4
C14	
CR8	
L1	
Q11	

FIELD SERVICE COMPONENT SUBSTITUTION LIST	
AMPEY P/N	NEAREST COMM EQUIV
013-599	
014-698	
014-652	
580-304	PI03E

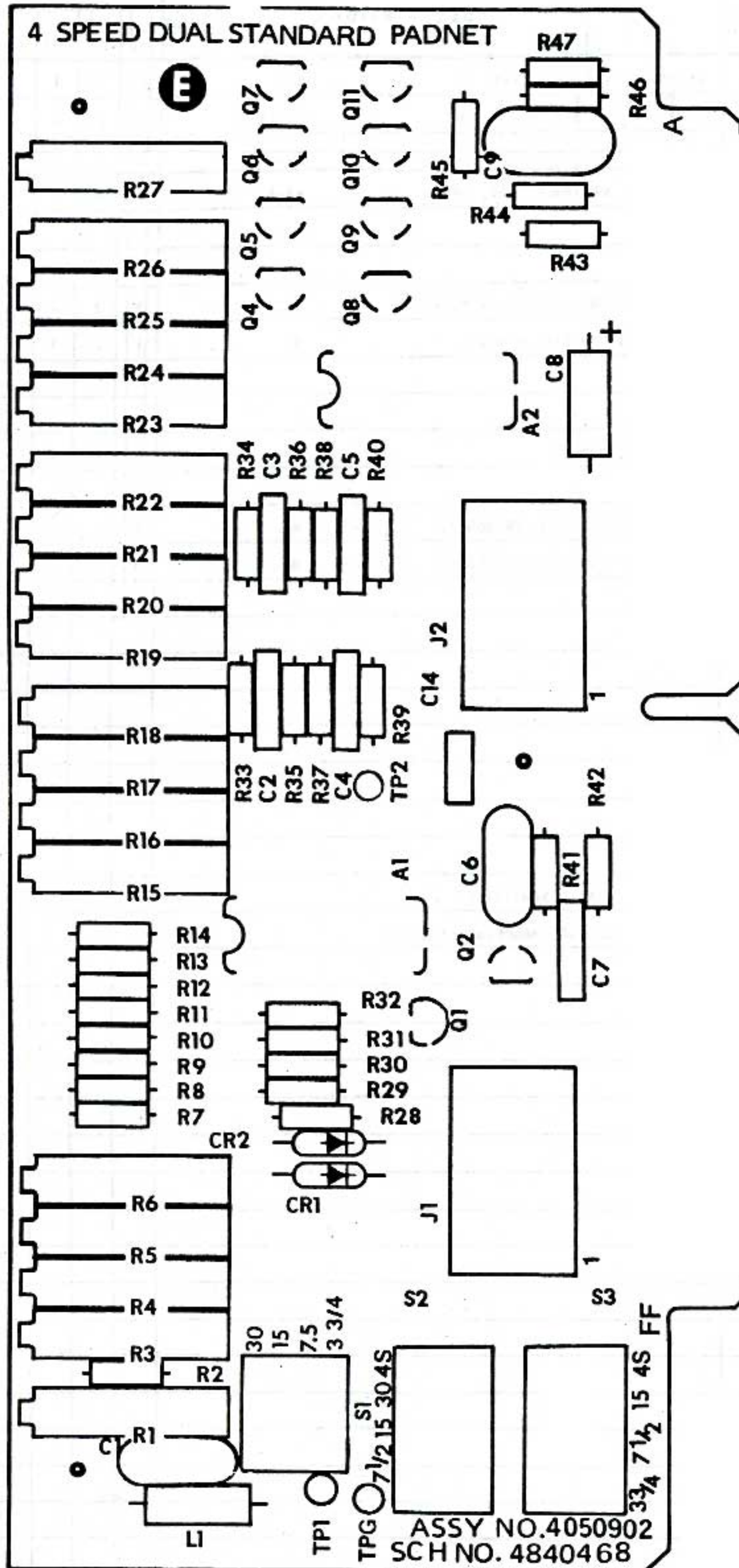
REFERENCE DESIGNATION	A1	A2	A5,8	A11	A9	A10
AMPLER P/N	587-907	587-452	589-336	589-441	587-960	587-898
VELOC P/N	4CE2P	2G30SGT	4556P	AH5Q10CH	4C19P	4069
VOLTAGE P/N	+15V (14)	-15V (M)	16		16	+15V (14)
GROUND P/N	7	7	B		B	

REFERENCE DESIGNATION	AMPEY P/N	NEAREST COMM EQUIV
A1	4050901	AF4100
A2	4050902	AF4100
A3	4050903	AF4100
A4	4050904	AF4100
A5	4050905	AF4100
A6	4050906	AF4100
A7	4050907	AF4100
A8	4050908	AF4100
A9	4050909	AF4100
A10	4050910	AF4100
A11	4050911	AF4100
A12	4050912	AF4100

Schematic No. 4840468B.
4 Speed Dual Standard PADNET PWA,
Top Board, Bottom Board



Assembly No. 4050903. 4 Speed/Dual Standard PWA (Top Board)



Assembly 4050902. 4 Speed/Dual Standard PWA (Bottom Board)