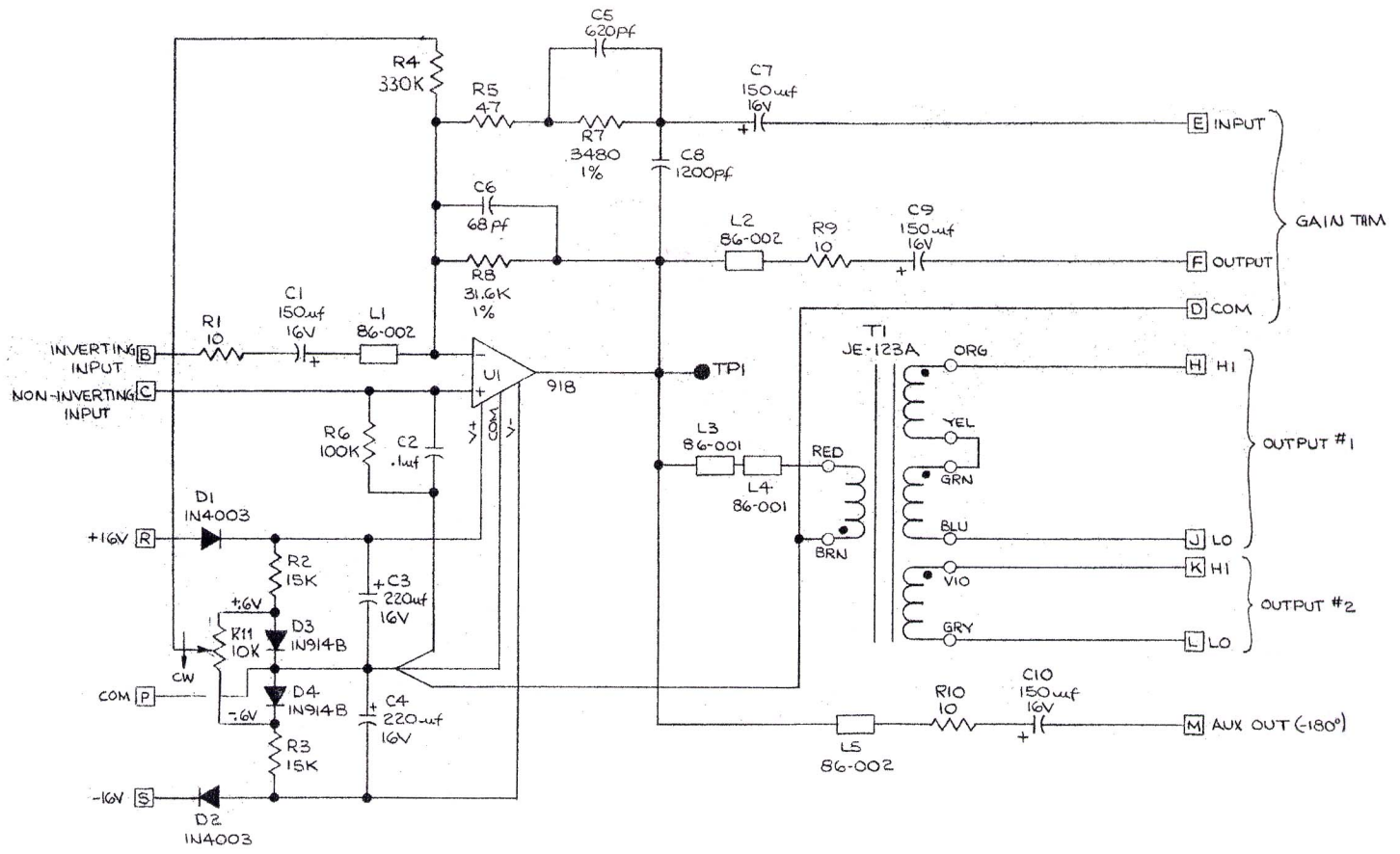


REVISIONS				
ZONE	LTR	DESCRIPTION	DATE	APPROVED
B		ADDED R11.	9-13-78	<i>[Signature]</i>



CA-1 GAIN CHART (w/ 10K SUMMING RES)

	OUTPUT #2 1:1		OUTPUT #1 1:2		OUTPUT #1+2 1:3	
	UNTERM	TERM 600Ω	UNTERM	TERM 600Ω	UNTERM	TERM 600Ω
MIN	-10.0 dB	-10.2 dB	-4 dB	-4.7 dB	-.5 dB	-1.8 dB
NOM	0 dB	-.2 dB	+6 dB	+5.3 dB	+9.5 dB	+8.2 dB
MAX	+10.0 dB	+9.8 dB	+16 dB	+15.3 dB	+19.5 dB	+18.2 dB
MAX LEVEL	+21.5 dBm	+21.2 dBm	+27.5 dBm	+26.5 dBm	+31 dBm	+29 dBm

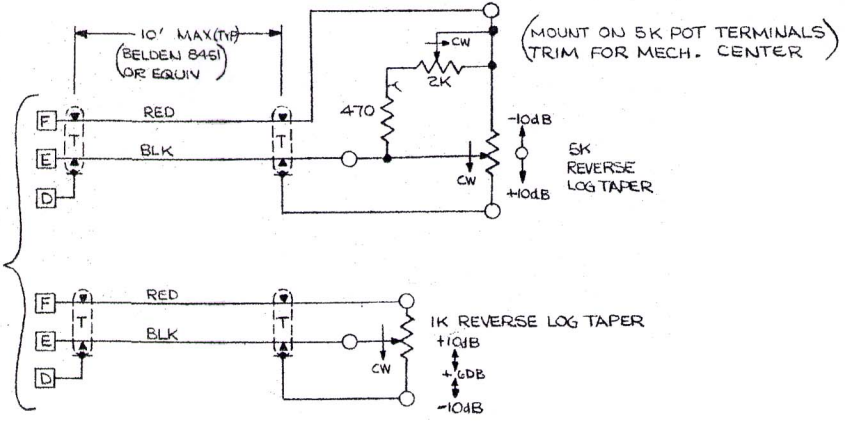


FIGURE 2
REMOTE GAIN CONTROL OPTIONS

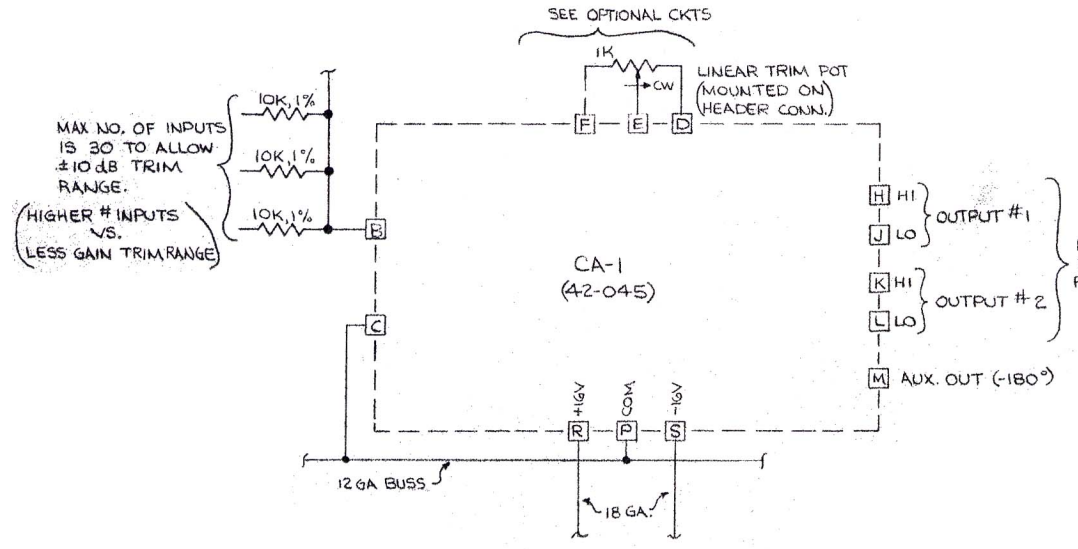


FIGURE 1
RECOMMENDED HOOK-UP DWG

BEFORE CLIPPING
±16V SUPPLY

FIGURE 3

BOARD P/N 42-045
BOARD ASSY # CA-1

QTY REQD	CODE IDENT	PART OR IDENTIFYING NO.	NOMENCLATURE OR DESCRIPTION
PARTS LIST			
UNLESS OTHERWISE SPECIFIED DIMENSIONS ARE IN INCHES TOLERANCES ARE:		CONTRACT NO.	
FRACTIONS	DECIMALS	ANGLES	
±	.XX ±	±	
	.XXX ±		
MATERIAL		APPROVALS	DATE
		<i>[Signature]</i>	7/19/77
		CHECKED	7-27-77
FINISH		SIZE CODE IDENT NO. DRAWING NO. REV.	
		D 99-25 B	
NEXT ASSY	USED ON	SCALE NONE	
		SHEET 2 OF 2	
DO NOT SCALE DRAWING			