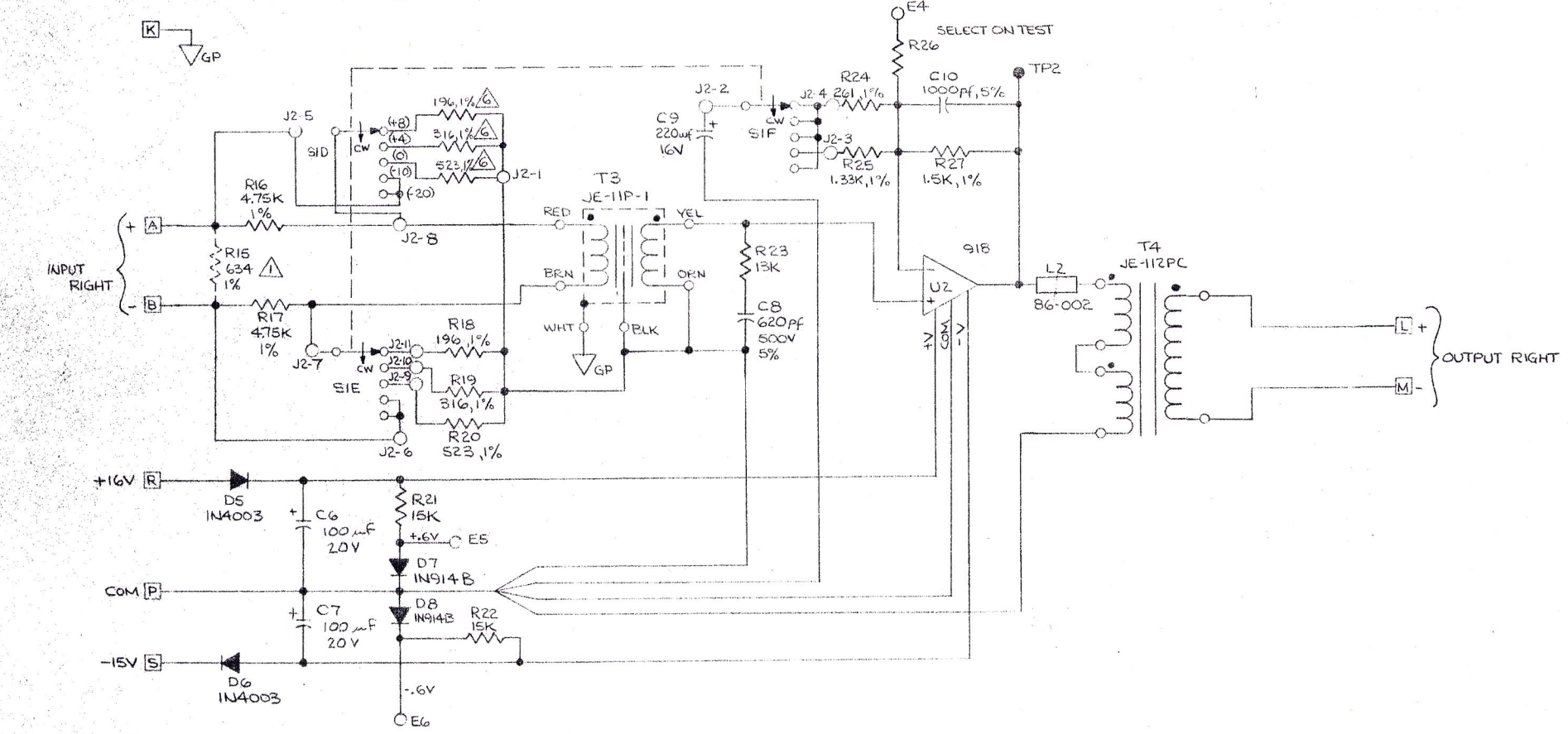
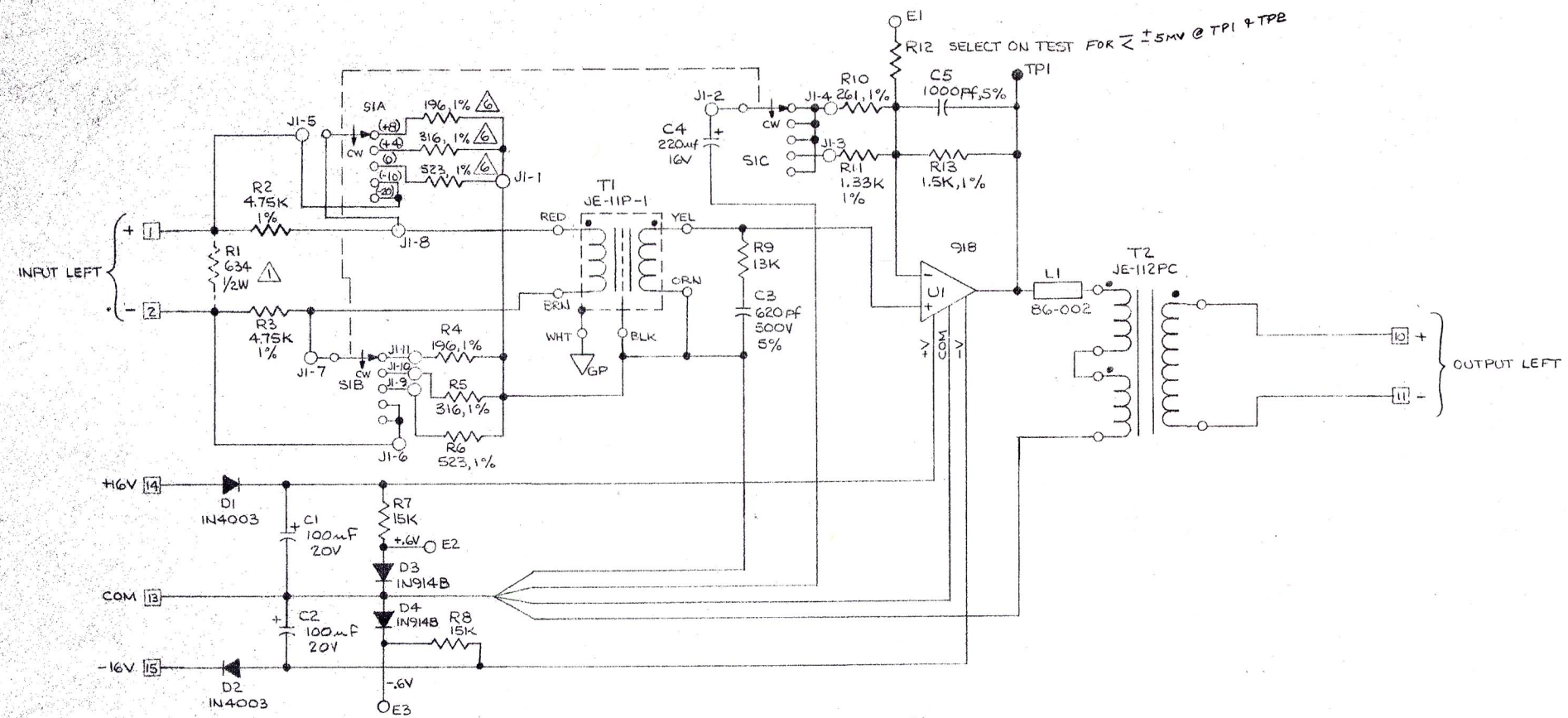


REVISIONS				
ZONE	LTR	DESCRIPTION	DATE	APPROVED
	A	RELEASED	7/9/77	
	A	CHGD DWG # WAS 266-SD-004 ply	11-21-77	



- 1. MOUNTED ON SWITCH
 - 2. SIA, B, D & E ARE SHORTING; SIC & F ARE NON-SHORTING.
 - 3. SELECT R12 & R26 FOR OUTPUT VOLTAGE $\leq \pm 5$ mV. (TP1, TP2)
 - 4. JUMP E1 TO E3 & E4 TO E6 TO CORRECT NEGATIVE OFFSET
 - 5. JUMP E1 TO E2 & E4 TO E5 TO CORRECT POSITIVE OFFSET
 - 6. R1 & R15 ARE OPTIONAL WHEN 600 Ω INPUT IS REQ'D
- NOTES: UNLESS OTHERWISE SPECIFIED

QTY REQD	CODE IDENT	PART OR IDENTIFYING NO.	NOMENCLATURE OR DESCRIPTION
PARTS LIST			
UNLESS OTHERWISE SPECIFIED DIMENSIONS ARE IN INCHES TOLERANCES ARE:		CONTRACT NO.	
FRACTIONS	DECIMALS	ANGLES	
\pm	.XX \pm	\pm	
	.XXX \pm		
MATERIAL		APPROVALS	DATE
FINISH		DRAWN <i>Weyman</i>	5-14-77
NEXT ASSY		CHECKED <i>Bilani</i>	6-21-77
USED ON		SCALE	
APPLICATION		DO NOT SCALE DRAWING	

PACIFIC RECORDERS AND ENGINEERING CORP.

SCHEMATIC - AM 22
STEREO LINE INPUT MODULE

SIZE CODE IDENT NO. DRAWING NO. REV
D 125-SD-115 A