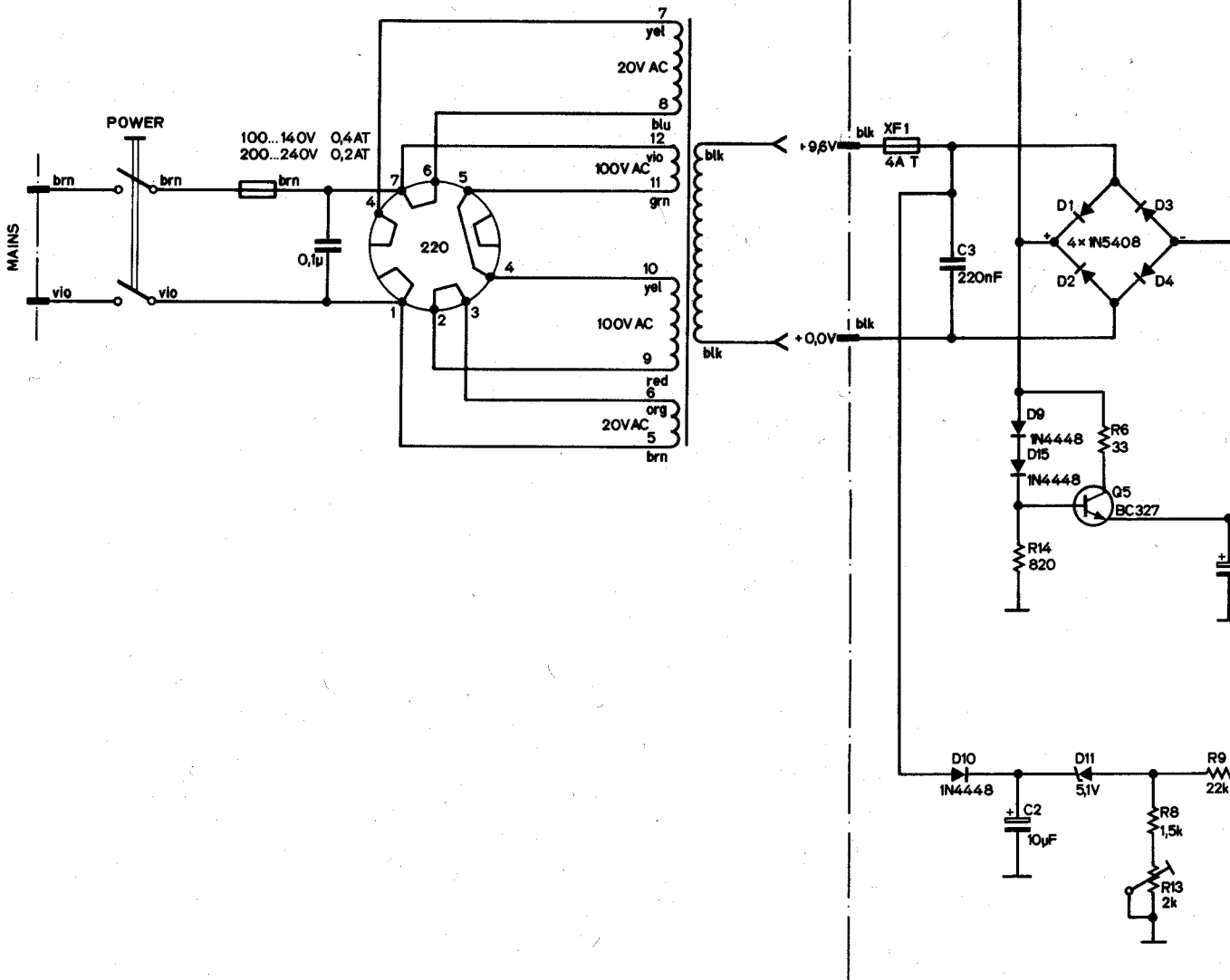
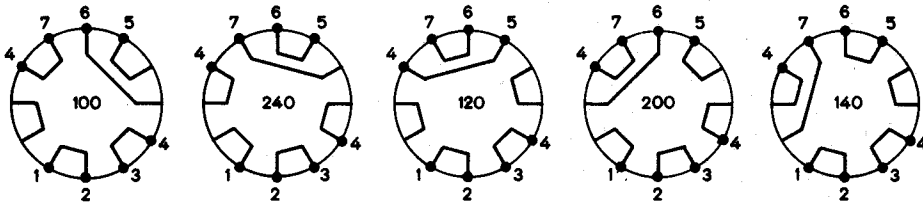
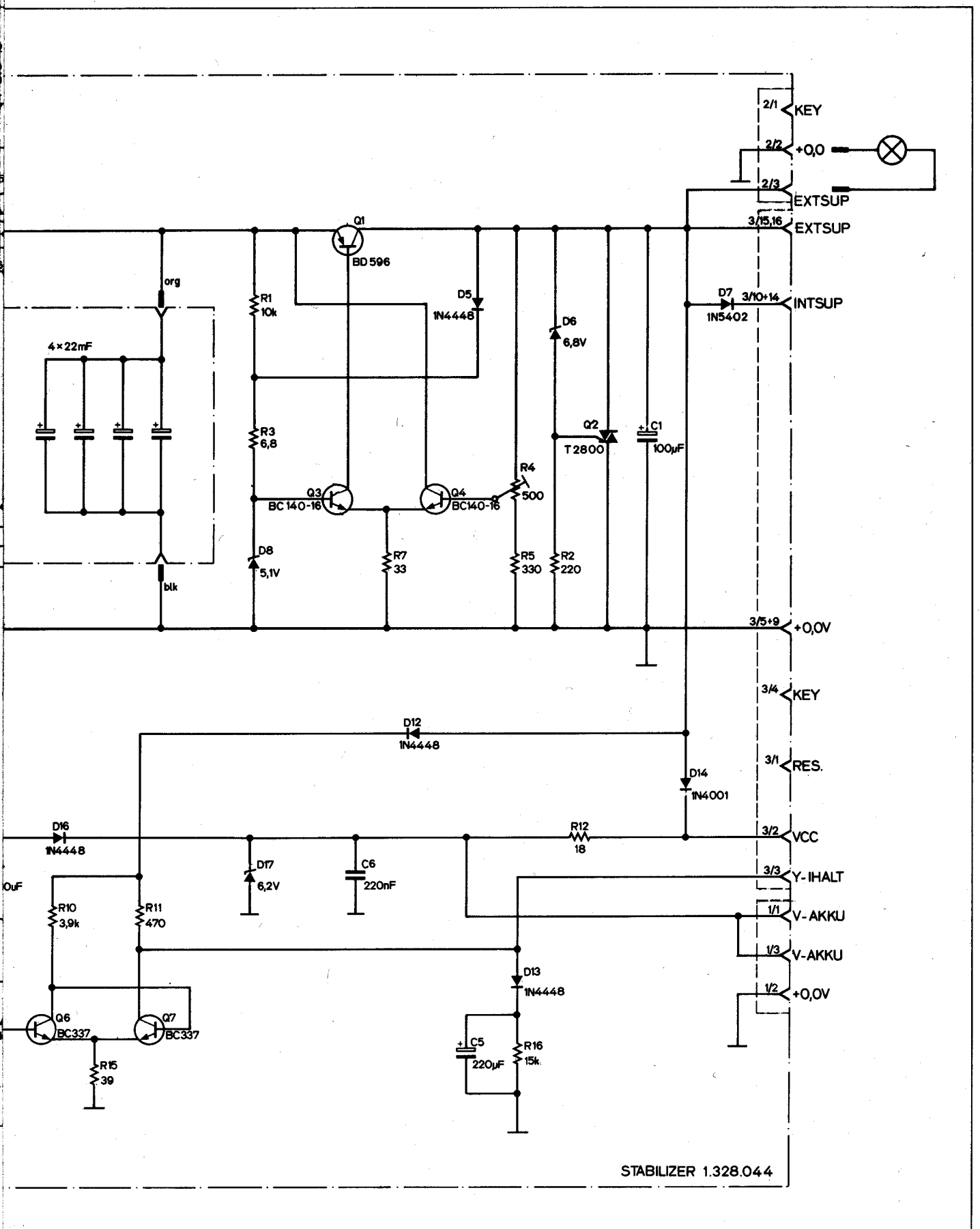
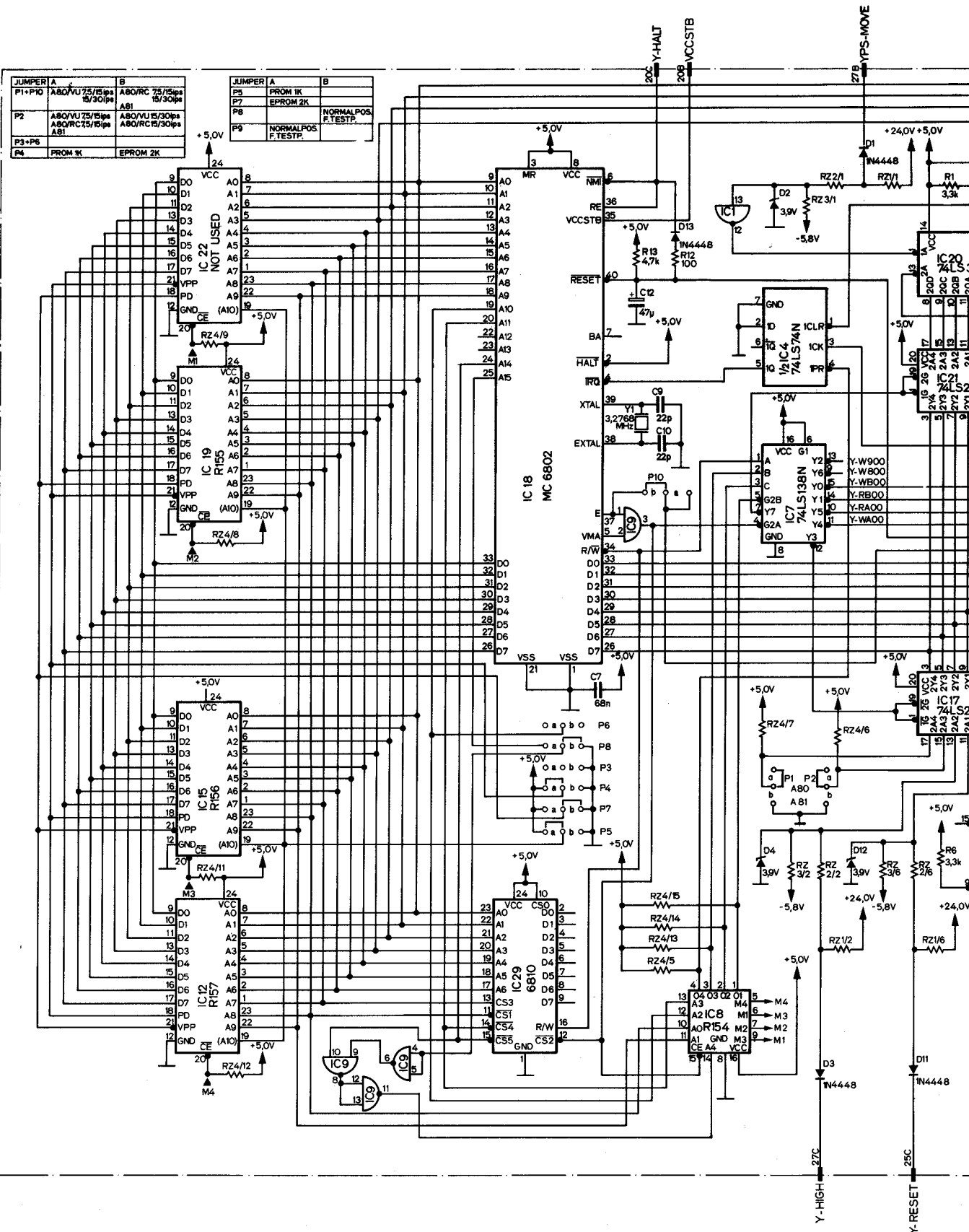


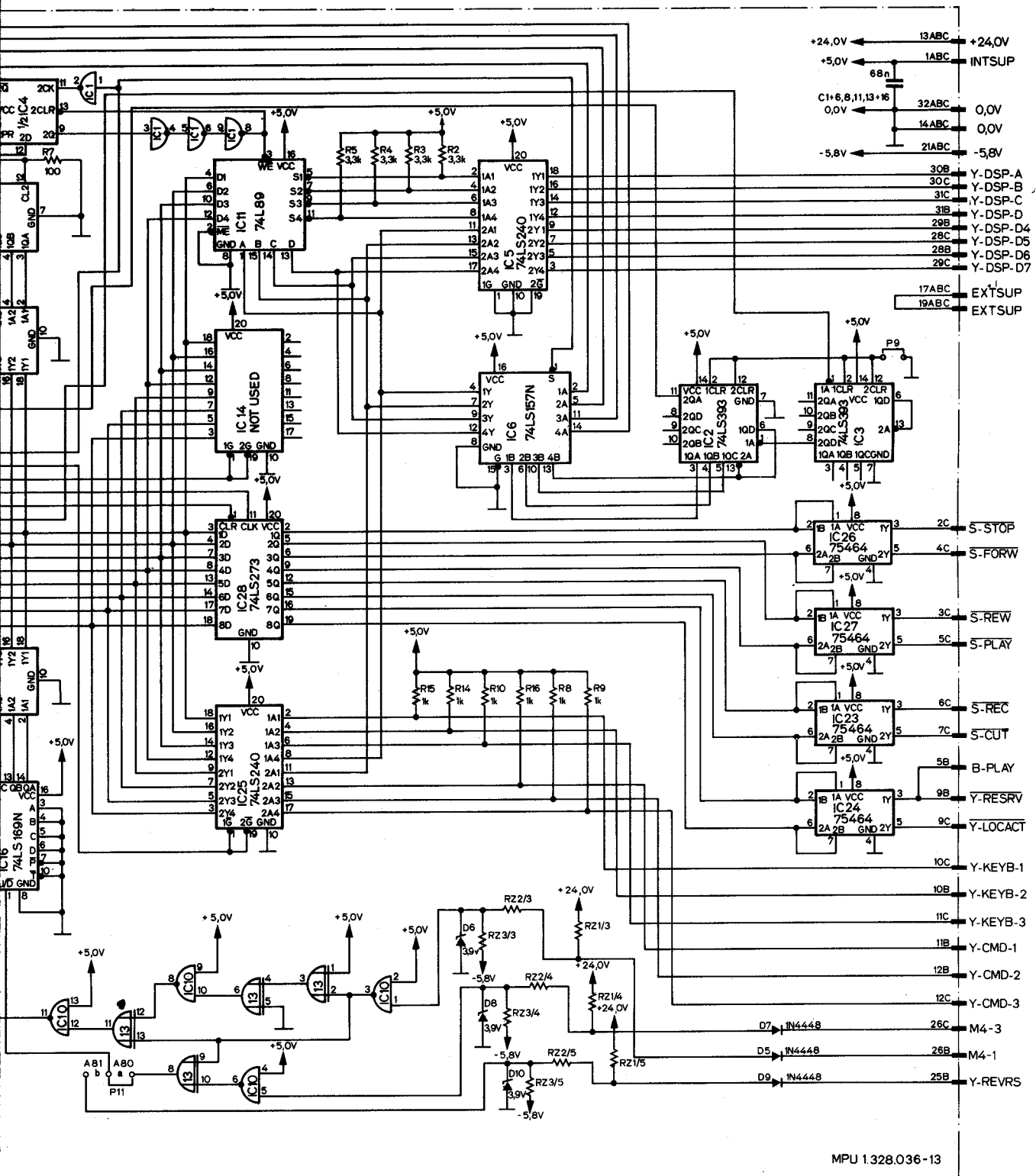
POWER SUPPLY UNIT / STABILIZER 1.328.044





AUTOLOCATOR MPU PCB 1.328.036





MPU 1.328.036-13

IC1 = 74LS14 RZ1/1+6 = 3.3k
 IC9 = 74LS00 RZ2/1+6 = 4.7k
 IC10 = 74LS132 RZ3/1+6 = 4.7k
 IC13 = 74LS86 RZ4/5+15 = 3.3k